

United States Patent [19]
Rogers et al.

[11] **3,820,435**
 [45] **June 28, 1974**

- [54] **CONFINEMENT SYSTEM FOR HIGH EXPLOSIVE EVENTS**
- [75] Inventors: **Benjamin T. Rogers, Embudo; Roger W. Taylor; Douglas Venable,** both of Los Alamos, all of N. Mex.
- [73] Assignee: **The United States of America as represented by the United States Atomic Energy Commission,** Washington, D.C.
- [22] Filed: **May 11, 1972**
- [21] Appl. No.: **252,171**
- [52] U.S. Cl. **89/1 R, 73/35**
- [51] Int. Cl. **G01n 33/22**
- [58] Field of Search..... **73/35; 89/1 R**

Primary Examiner—Verlin R. Pendegrass
Attorney, Agent, or Firm—John A. Horan; Edward C. Walterscheid

[57] **ABSTRACT**

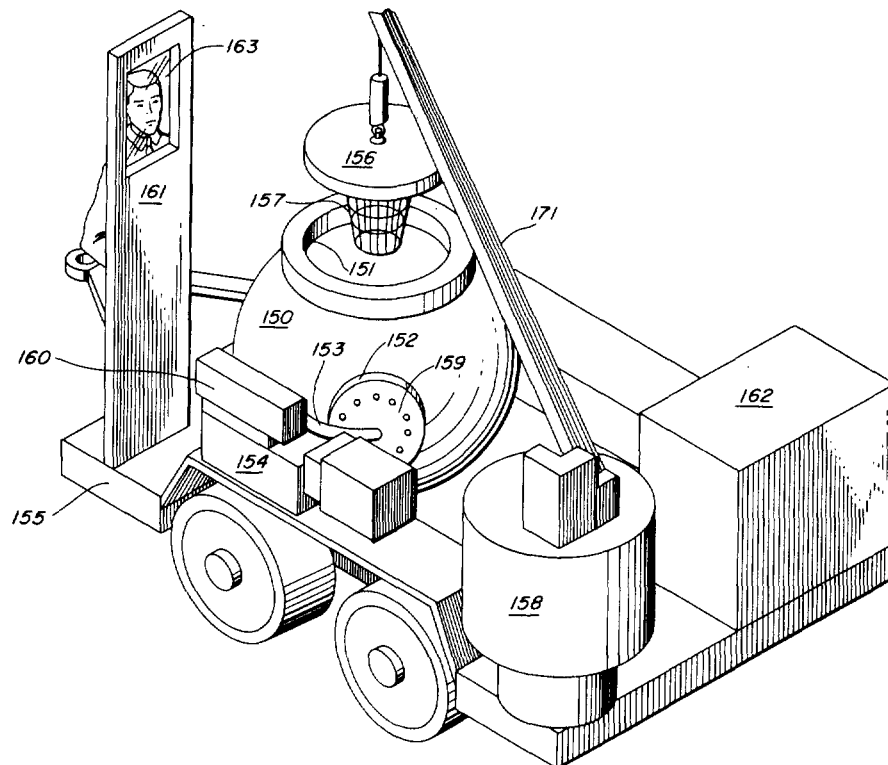
A system for completely containing the energy, detonation products, and any other products of an explosive event. In its simplest form, the system comprises a thin-walled confinement vessel, having at least one access port, a closure for the port or ports, a support structure within the vessel for holding the explosive out of direct contact with the vessel wall, and a vacuum system for evacuating the confinement vessel prior to detonation of the explosive. By drawing a 500 micron vacuum within the confinement vessel before detonation, the amount of explosive for which the energy and products can be completely contained is typically doubled over that which can be contained at atmospheric pressure. One embodiment, useful for high-explosive studies, readily allows flash radiography of an event as it occurs. Another embodiment is particularly useful for the containment and disposal of bombs or other infernal devices.

[56] **References Cited**

UNITED STATES PATENTS

1,237,883	8/1917	Elia	89/36 A
2,404,441	7/1946	Hopkins	89/1 R
2,917,927	12/1959	Clark	73/35
3,165,916	1/1965	Loving, Jr.	73/35
3,301,041	1/1967	Mueller	73/35

7 Claims, 9 Drawing Figures



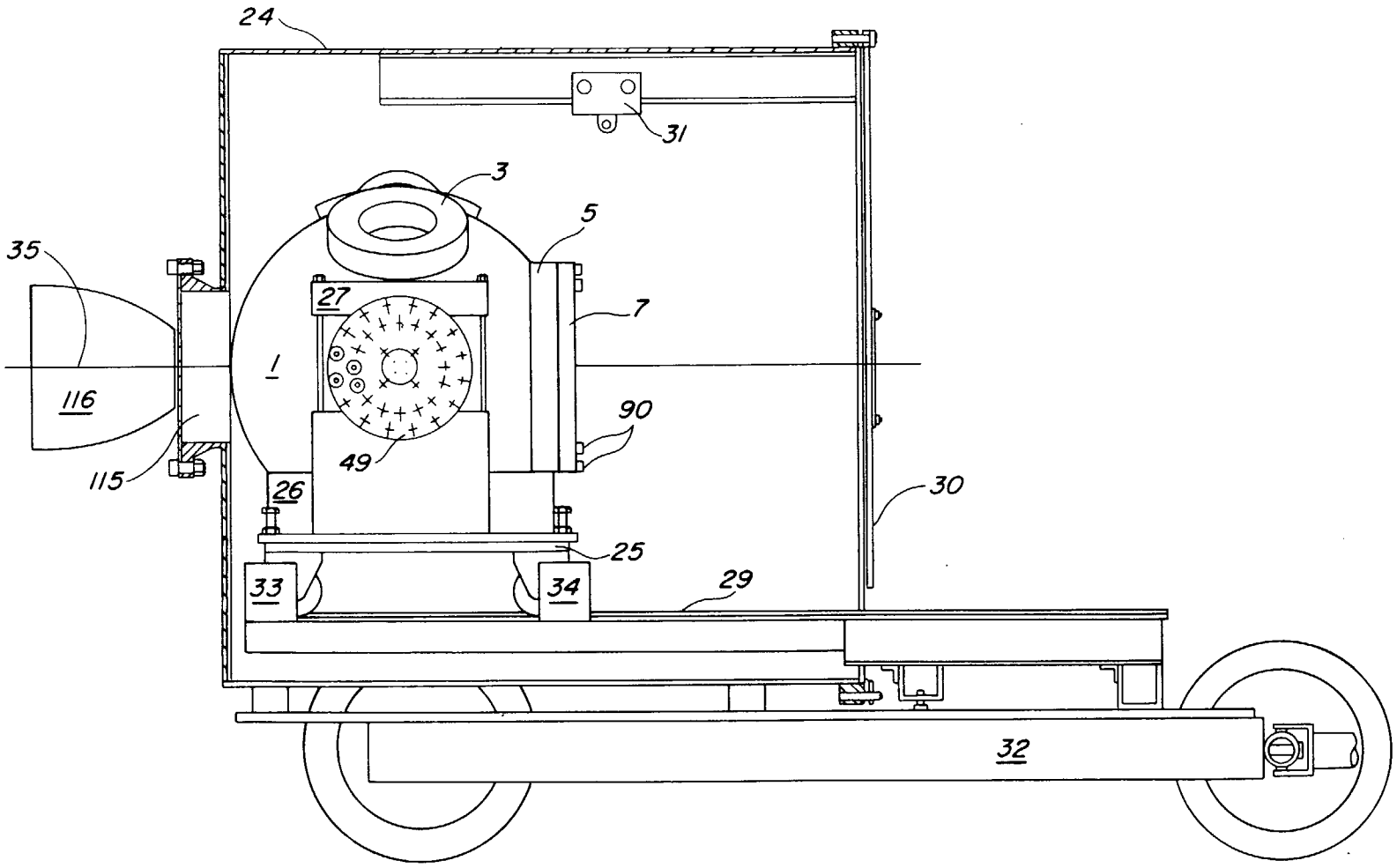


Fig. 1

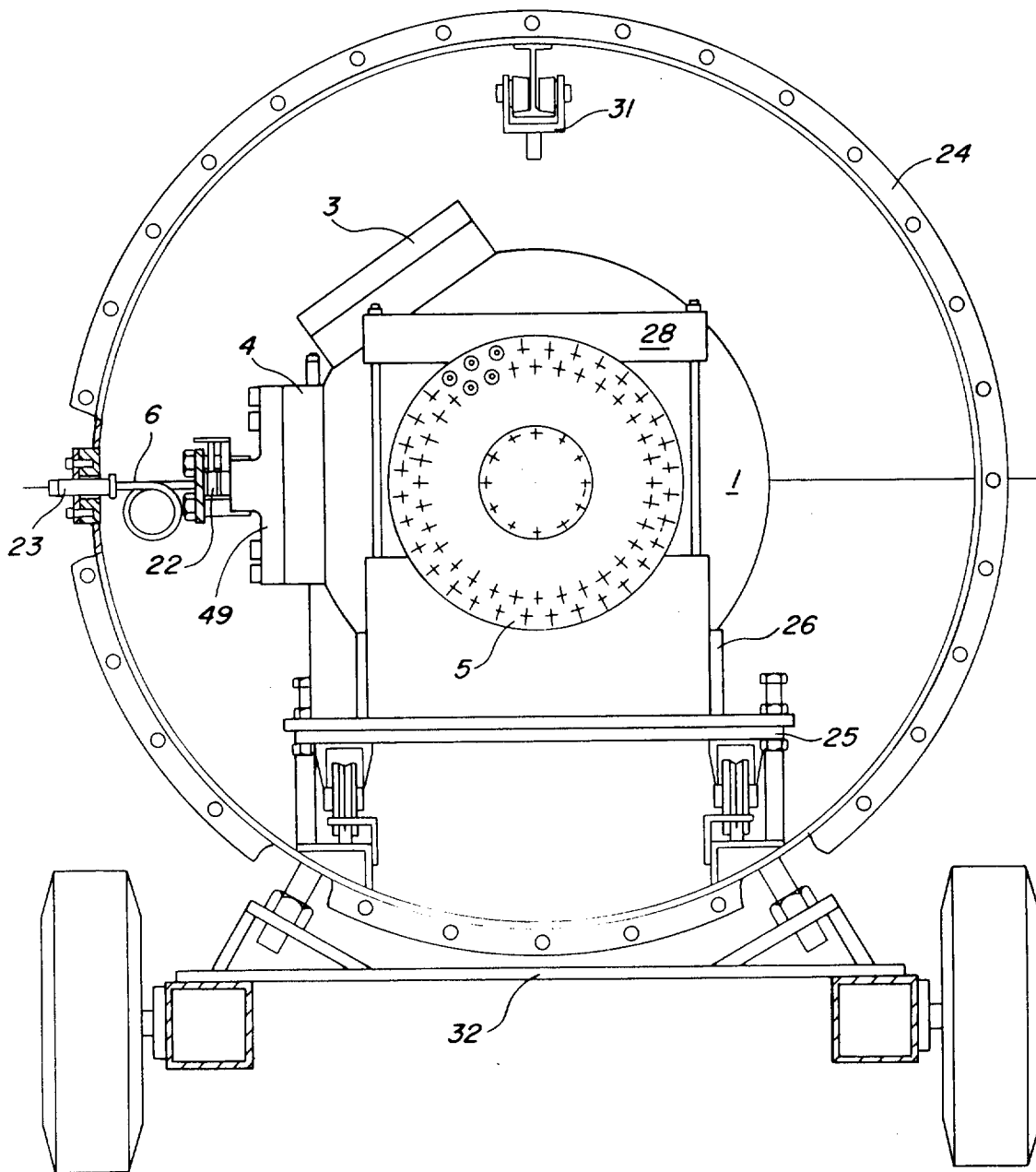


Fig. 2

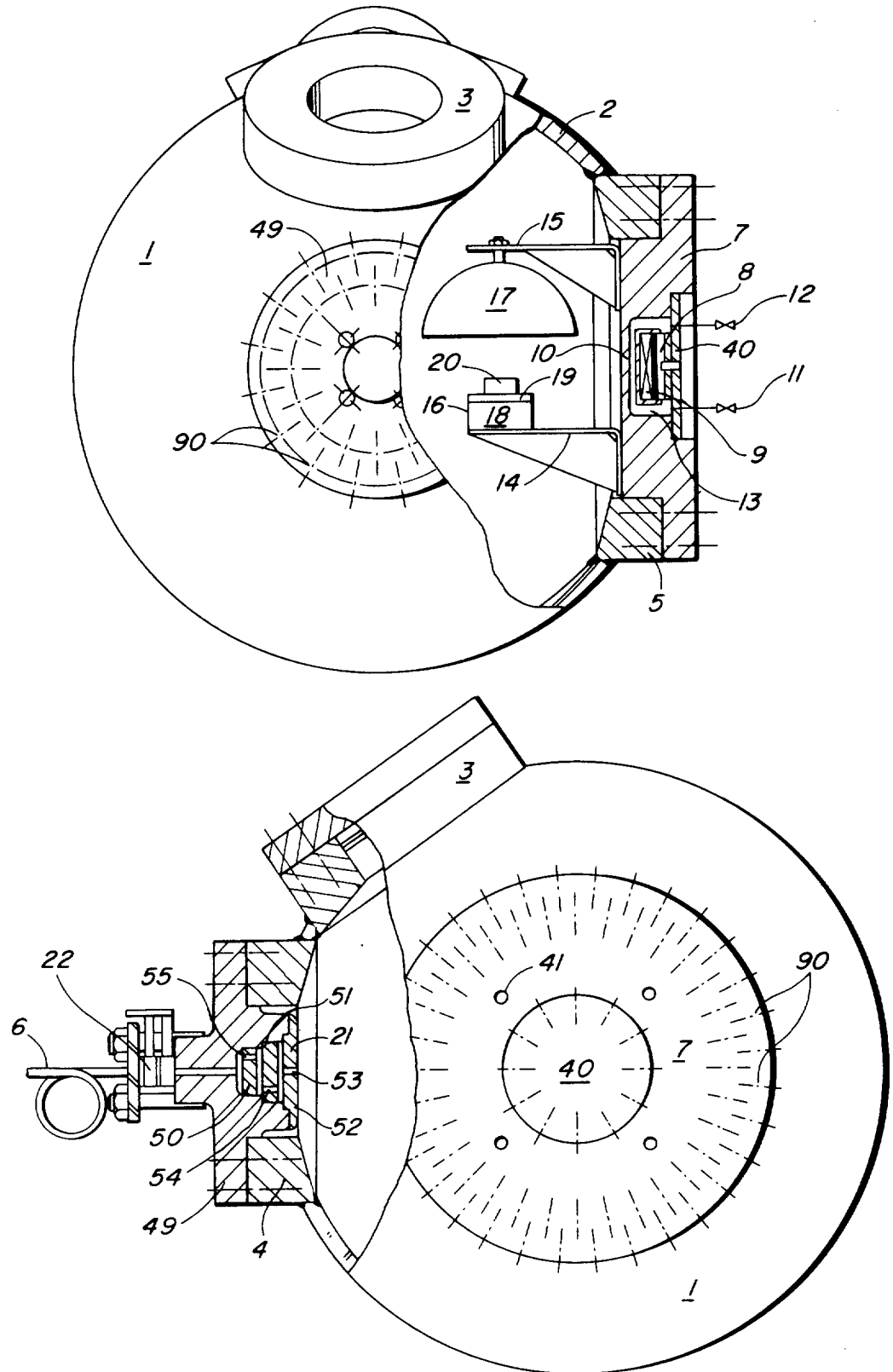


Fig. 3

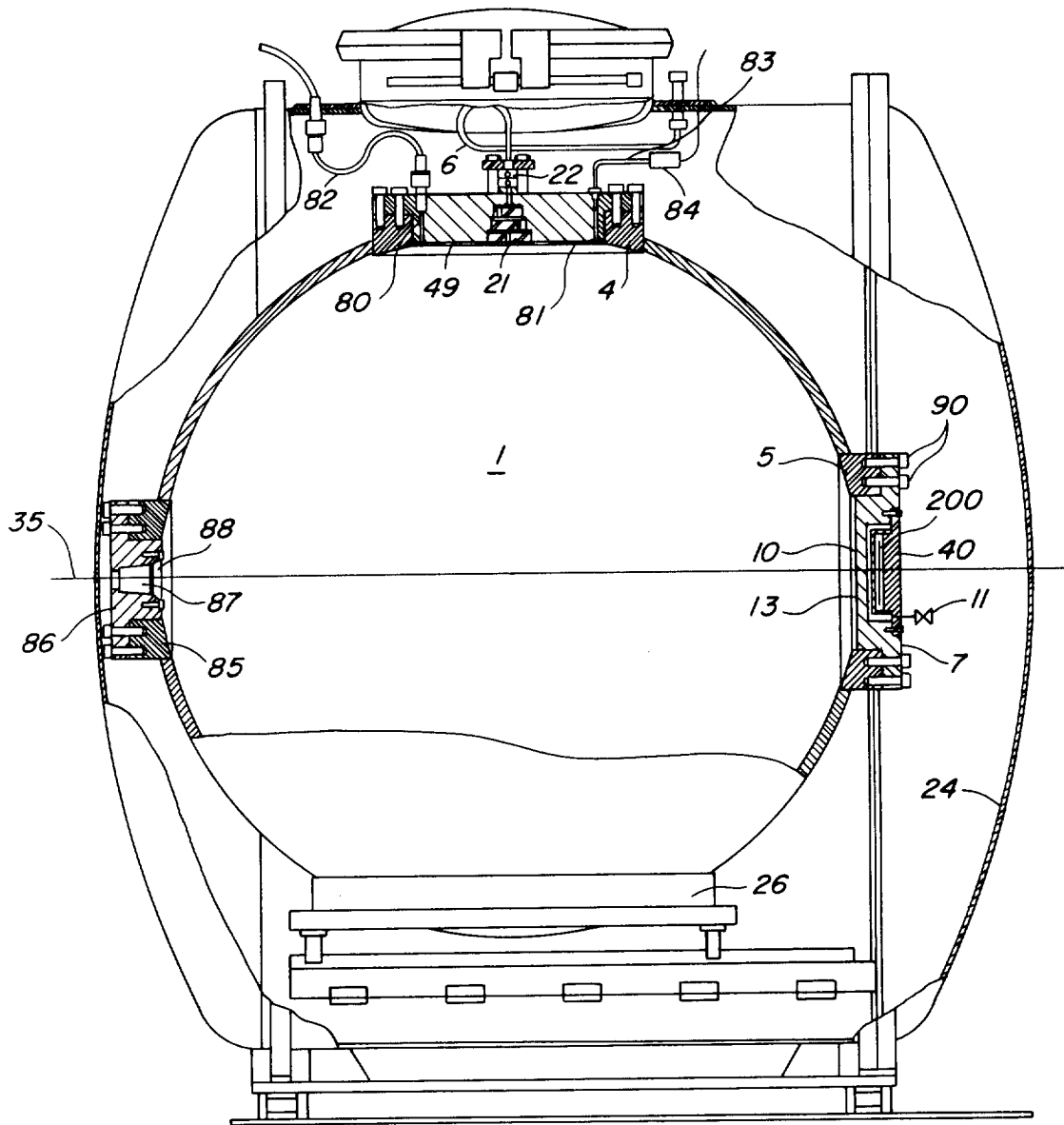


Fig. 4

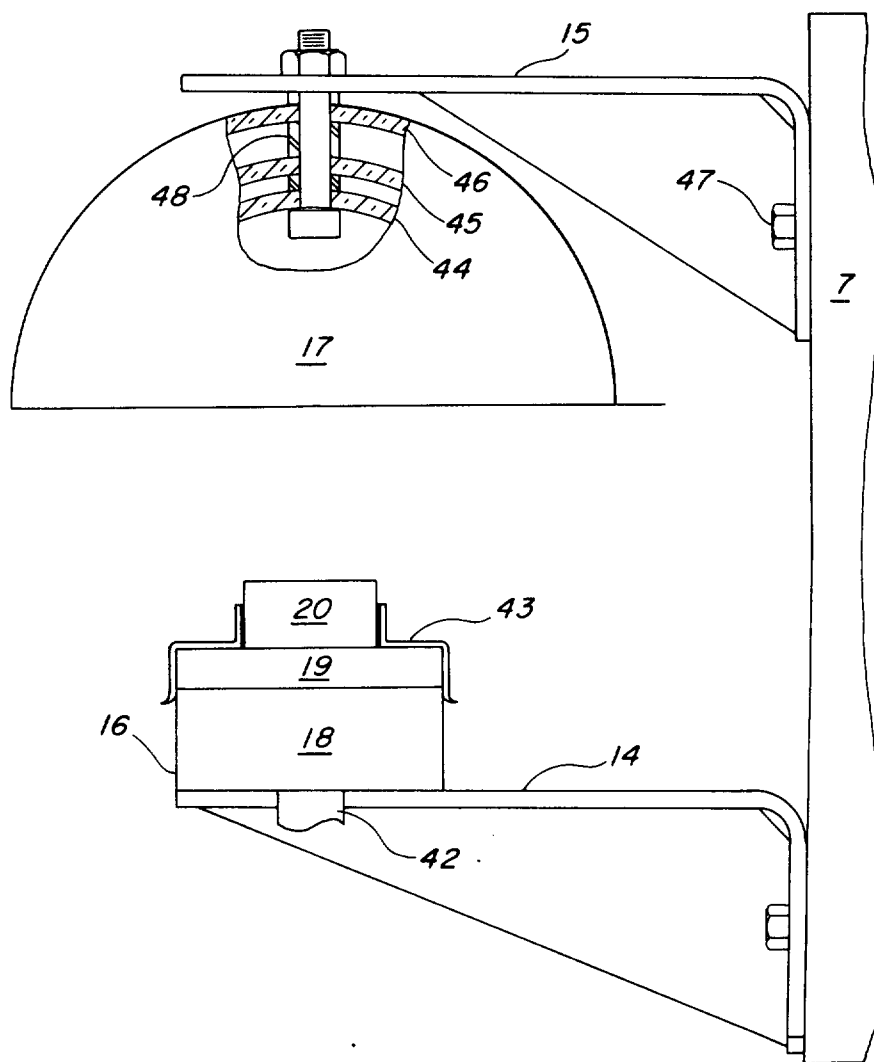


Fig. 5

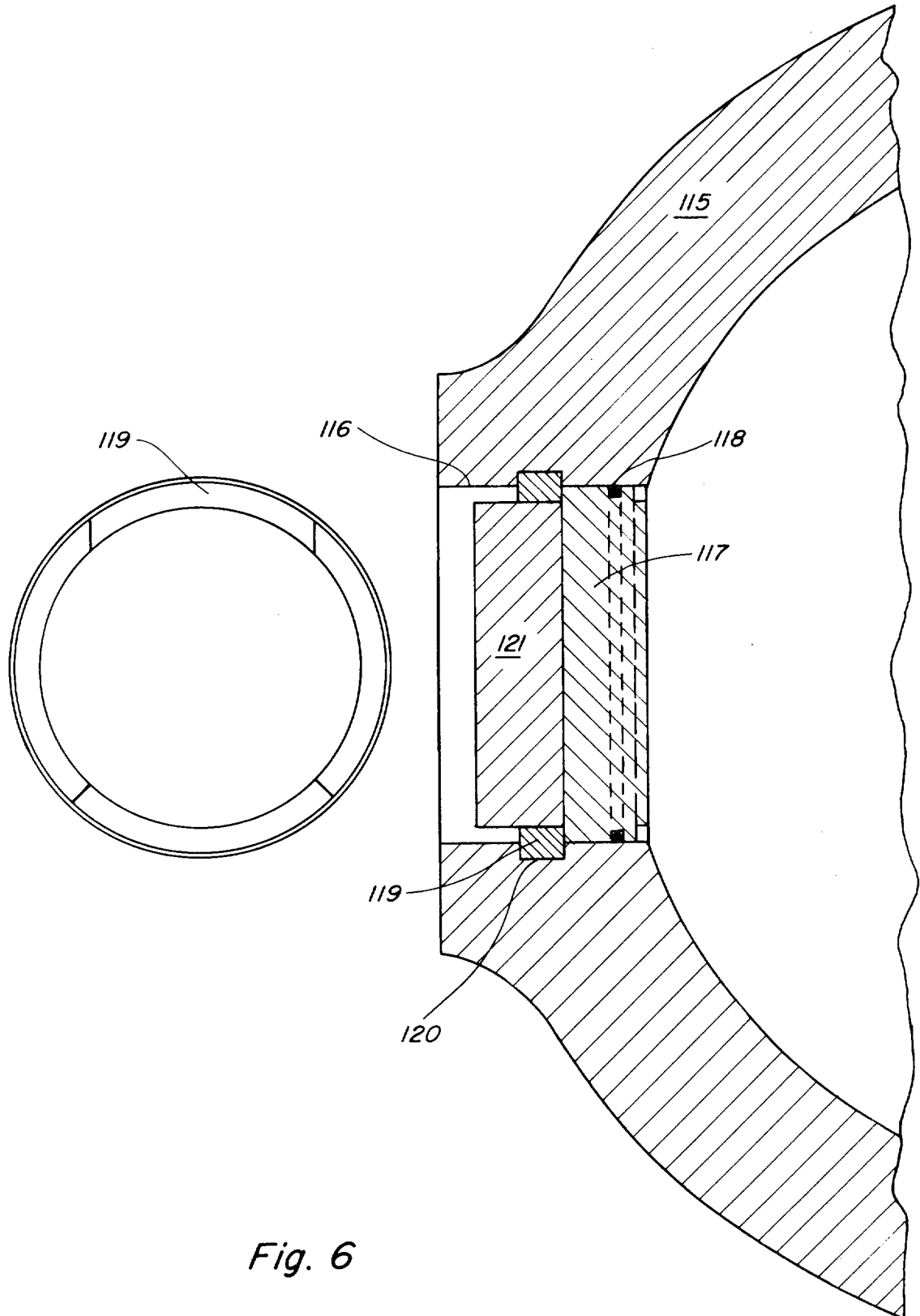


Fig. 6

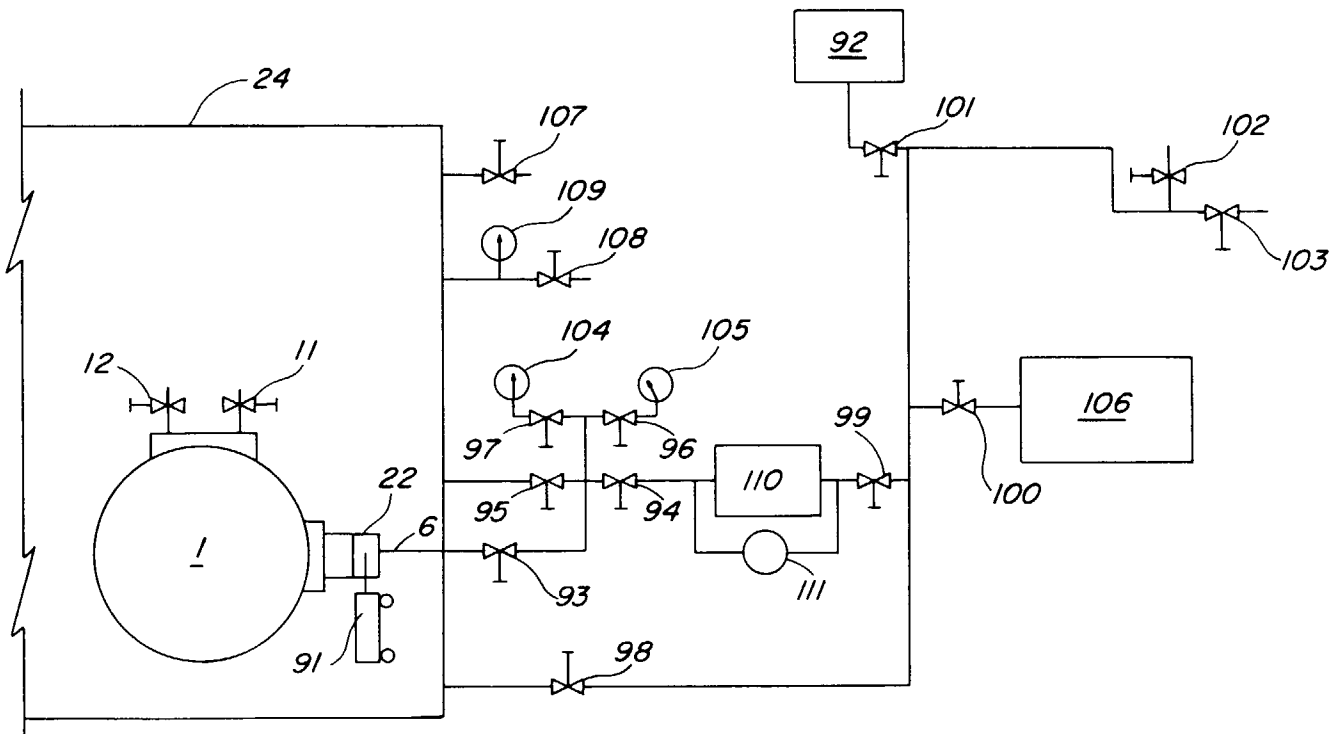


Fig. 7

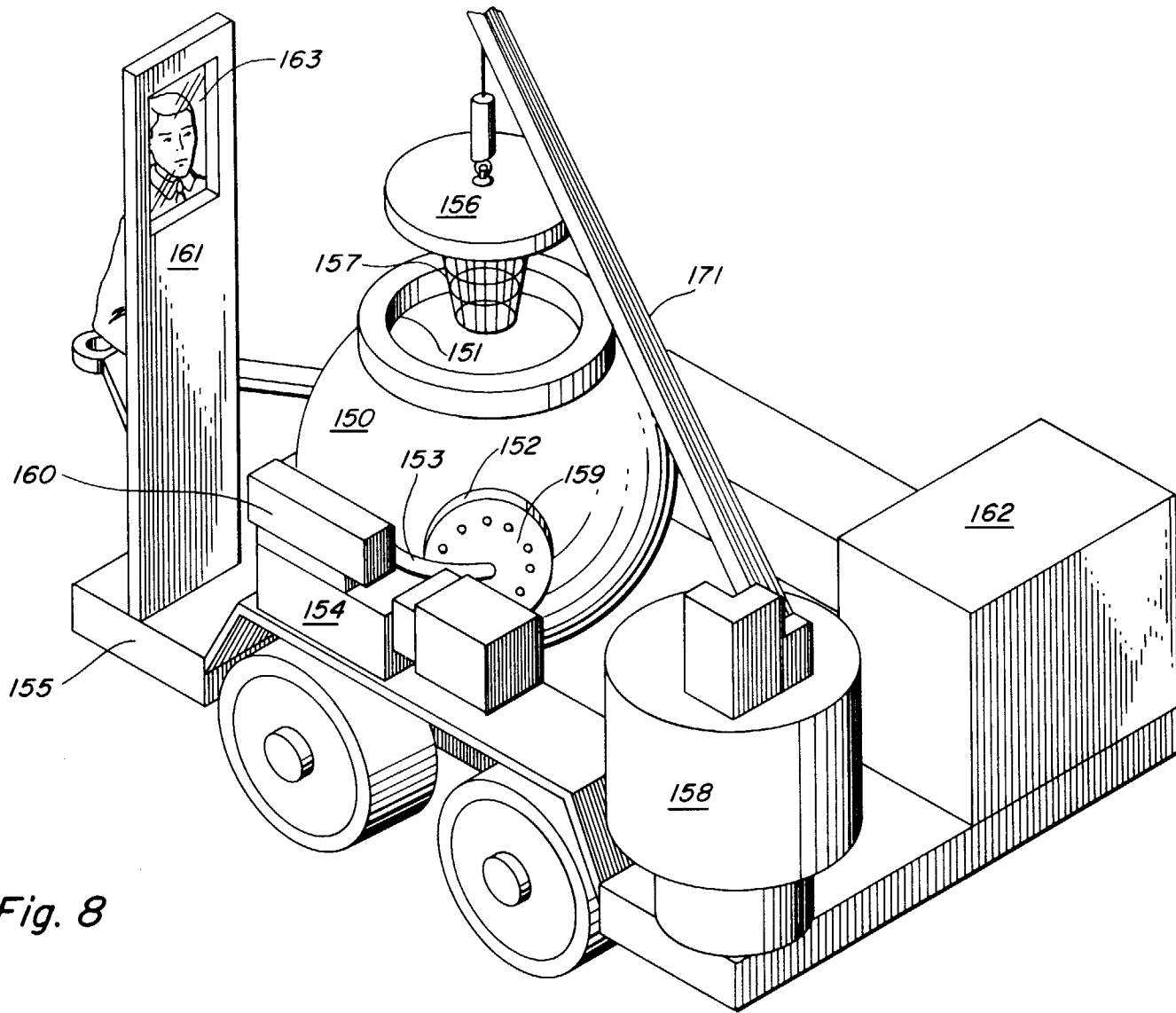


Fig. 8

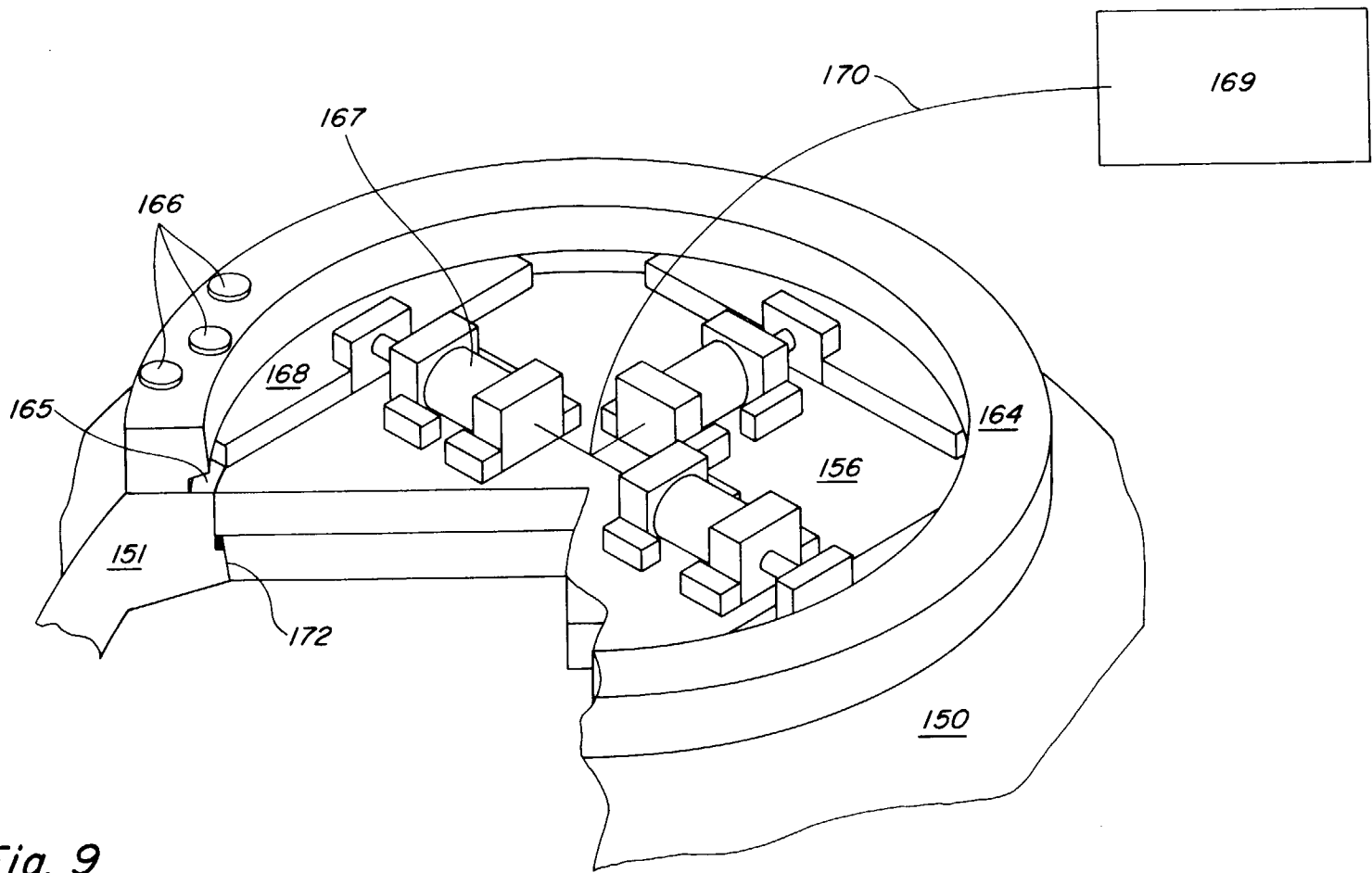


Fig. 9

CONFINEMENT SYSTEM FOR HIGH EXPLOSIVE EVENTS

BACKGROUND OF THE INVENTION

The invention described herein was made in the course of, or under, a contract with the U.S. ATOMIC ENERGY COMMISSION. It relates to a system for completely containing the energy, detonation products, and any other products of an explosive event, and more particularly to a system wherein, through evacuation of the confinement vessel, the amount of high explosive whose energy and products can be contained is typically doubled over that containable when the confinement vessel is at atmospheric pressure.

In the course of research directed at the high-pressure hydrodynamic properties of materials, it is necessary to resort to explosive driven systems to attain the required pressures. From time to time it may also be necessary to examine toxic, noxious, or radioactive materials to complete the study of a given class of materials. Increasingly, considerations of safety, environmental protection, and long-term economics preclude experimental procedures that would allow such materials to be dispersed into the air, onto the earth, or into water.

Aside from experimental consideration, there is also unfortunately an increasing requirement in our society for a means of totally confining the energy and detonation products of bombs and other infernal devices.

The art discloses no system for completely containing both the energy and the products of an explosive event within a reasonably small volume when the size of the explosive detonated exceeds perhaps 1 pound. Although the art reveals various bomb disposal systems for confining partially the energy and products of bombs, there is nothing to indicate the feasibility or even the possibility of confining completely within a reasonably small volume the energy and products of a bomb in the 10 to 25 lb range.

In U.S. Pat. No. 3,165,916, issued Jan. 19, 1965, Loving states that the strength of the wall required to withstand the pressure pulses generated by detonation of an explosive within a structure is a function of the volume of the chamber, the kind of explosive detonated, the weight of explosive detonated, and the yield strength of the material of which the chamber is constructed. According to Loving, the empirical expression

$$P = K W/V$$

defines the equivalent hydrostatic pressure generated by detonation of an explosive charge within the chamber. The constant K used in this expression depends not only on the strength of the explosive but also on the completeness of reaction of the explosive under the conditions which prevail in the chamber. Thus, although PETN has a higher available explosive energy per unit weight than does TNT, a higher value of K is used for TNT than for PETN because of the reaction with air of the initial detonation products.

According to U.S. Pat. No. 3,165,916, a 17.44 lb charge of amatol high explosive represents about the maximum charge that can be detonated in a vented 12 ft-diameter sphere having a $\frac{3}{4}$ inch-thick steel wall without exceeding the permissible strain.

In high-explosive studies involving the use of toxic or radioactive materials, it is often desirable to contain completely (that is, with no venting) the energy and products of the detonation of high-explosive charges in the 15 to 20 lb size range within a confinement vessel substantially smaller than 12 feet in diameter. Further, a bomb containment and disposal system where the energy and products of the detonation of bombs up to 25 pounds in size are completely contained within a reasonably sized confinement vessel would also have widespread utility.

SUMMARY OF THE INVENTION

We have now found that by evacuating the confinement vessel the amount of high explosive for which the energy and detonation products can be completely contained is substantially increased. When the vessel is evacuated to a pressure of about 500 microns, the energy and detonation products of typically twice the amount of explosive are containable than would be possible if the vessel were at atmospheric pressure. Using this discovery, we have developed a system for completely containing within a 6 ft-diameter confinement vessel the energy, detonation products, and any other products of the detonation of more than 30 pounds of high explosive.

One embodiment, useful for high explosive studies, readily allows flash radiography of an explosive event as it occurs. A spherical, thin-walled confinement vessel is provided which has a plurality of access ports. The plug for one access port is provided with a recess containing a film for recording radiographic data of an event. The plug for a second port contains feedthroughs for electrical cables and a vacuum line. A specimen holder supporting a high explosive charge and materials to be acted on by the detonation of that charge is so aligned within the confinement vessel that the detonation may be recorded by radiography on the film at a time of interest. A specimen catcher consisting of concentric metal hemispheres may be used to dissipate the kinetic energy of metals driven to very high velocities by the explosive event. The confinement vessel is enclosed within a safety vessel, and a vacuum system is provided for maintaining a substantial vacuum within the confinement vessel and a partial vacuum within the safety vessel at the time of firing. The whole system may readily be mounted on a trailer for ease of transportation to and from a firing point.

A second embodiment, useful for bomb containment and disposal, comprises a thin-walled confinement vessel having a first large access port for placing a bomb within the vessel and a second smaller port which provides feedthroughs into the vessel for electrical cables and a vacuum line. A support structure within the vessel holds the bomb away from direct contact with the vessel wall. The large access port has a quick closure device for rapidly sealing the vessel closed once the bomb is inserted. This quick closure device may consist of shear ring segments actuated by hydraulic rams. A vacuum pump is provided for rapidly drawing a substantial vacuum within the confinement vessel, and a high-pressure gas supply is provided for actuating the rams on the quick closure device. Because of the substantial weight of the closure device for the large access port, a crane is provided to move it. All components of the system are remotely operated by an operator lo-

cated behind shielding means. Again the whole system is readily transportable by trailer or truck.

In either embodiment, the presence of a substantial vacuum is used to reduce the shock loading on the confinement vessel. When the high explosive detonated within the confinement vessel is oxygen deficient, the vacuum serves the further purpose of reducing the blast effect because the initial detonation products cannot react with air. Since most bombs are likely to be made from commercially available explosives such as TNT and dynamite, which are oxygen deficient, the method and apparatus of this invention are particularly useful for the containment and disposal of large bombs or other infernal devices.

BRIEF DESCRIPTION OF THE DRAWINGS

FIG. 1 is a view partially in cross section and partially cutaway showing the confinement system with a 3 ft diameter confinement vessel as it is utilized for high-explosive studies.

FIG. 2 is a partially cutaway end view of the system of FIG. 1 with the door to the safety vessel removed.

FIG. 3 shows two partially cutaway views of a 3 ft diameter confinement vessel useful with this invention.

FIG. 4 is a partially cutaway end view showing the confinement system with a 6 ft diameter confinement vessel having a beryllium window.

FIG. 5 shows details of a specimen catcher, typical experimental assembly, and support structure as used within the 3 ft diameter confinement vessel of FIG. 1.

FIG. 6 shows an alternative closure system for the ports of confinement vessels shown in FIGS. 1 through 4 which allows substantial momentum transfer and thus a higher impulse loading on the port closures.

FIG. 7 is a schematic representation of a vacuum and bleeddown system useful with this invention.

FIG. 8 is a perspective view of a confinement system useful for complete containment of the energy, detonation products, and any other products of a bomb or other infernal device.

FIG. 9 is a partial cross-sectional and schematic view of a quick closure device which may be used with the embodiment shown in FIG. 8.

DESCRIPTION OF THE PREFERRED EMBODIMENTS

1. High Explosive Studies

An embodiment of this invention useful for high explosive studies is shown in FIGS. 1 through 4. The system as it utilizes a 3 ft diameter confinement vessel is shown in FIGS. 1, 2, and 3, whereas FIG. 4 shows the system with a 6 ft diameter confinement vessel and a somewhat different configuration.

In FIGS. 1, 2, and 3 confinement vessel 1 is a spherical steel shell 2 of nominally 1-inch-thick mild steel (ASTM A516-70a, Grade 70 normalized). While the scope of this invention is not limited to spherical or substantially spherical confinement vessels, it will be readily apparent that spherical or substantially spherical configurations are highly desirable in that they have the greatest strength. Vessel 1 has three access ports, 3, 4, 5. Port 3 is provided for convenience sake for entry into the vessel to clean it or to recover valuable metal that may have been used in an experiment. Port 4 provides access to vessel 1 for vacuum line 6. Port 5 is the main entry port for placing an experiment within

confinement vessel 1. Plug 7 to port 5 has mounted within it a blast resistant film holder 8 for film packet 9. Plug 7 thus serves as a radiation window 10 that provides a minimum of structural material between the event and film packet 9. When toxic or radioactive materials are present in vessel 1 it is necessary to know whether window 10 has been ruptured by the event. Therefore film cavity test ports 11 and 12 are provided through closure 40 to monitor film enclosure area 13 before it is opened. Circumferentially arranged around closure 40 in plug 7 are a plurality of electrical feedthroughs 41 which provide access to vessel 1 for firing cables, diagnostic cables, transducer cables, etc. The number of feedthroughs 41 will vary, depending on the type of diagnostics required from a particular event.

Support structures 14 and 15 for respectively experimental assembly 16 and specimen catcher 17 are mounted on plug 7. Mounting to plug 7 is readily accomplished by means of bolts 47 (see FIG. 5). Details of specimen catcher 17 and assembly 16 are given in FIG. 5. Assembly 16 consists of detonator 42, plane wave generator 18, explosive 19, metal specimen 20 to be driven by the explosive event, and alignment structure 43 to hold specimen 20 at the desired location with regard to explosive 19. It is essential that any explosive detonated in vessel 1 not be in direct contact with the wall of vessel 1 so as to avoid direct shock coupling with the wall. Specimen catcher 17 is provided so that sufficient momentum transfer occurs between it and specimen 20 to prevent penetration of vessel 1 by metal fragments. As shown in FIG. 5, catcher 17 consists of a plurality of concentric metal hemispheres 44, 45, 46 separated from one another by spacers 48. Hemispheres 44, 45, 46 which are typically made from copper form an umbrella configuration to contain any splash or jet that might result from the breakup of specimen 20 as a result of the explosive event. The use of a momentum transfer device such as specimen catcher 17 is not critical to this invention; however, it is desirable when metal is accelerated directionally at any velocity, although velocities in excess of 6,000 ft/sec are quite common in explosive hydrodynamic studies. Metal fragments impinging on the wall of vessel 1 at velocities this high may do substantial damage to the wall of the vessel or—if sufficiently energetic—possibly even penetrate it. On detonation of explosive 19, metal specimen 20 is driven upward into hemisphere 44, and energy is dissipated in heating the hemisphere and in some cases in a change of state of one or both materials. The impingement of specimen 20 on hemisphere 44 imparts a considerable velocity to hemisphere 44; however, substantial energy is lost in the form of heat and the combined mass is perhaps double that of specimen 20 so that the velocity of the combined mass of hemisphere 44 and specimen 20 is reduced by more than a factor of two. This process continues as the combined mass strikes hemispheres 45 and 46 in turn. Energy is dissipated as heat at each new collision, and the velocity of the combined mass decreases as each new hemisphere is contacted. Because the outer hemispheres are larger in size, there is also a reduction in specific momentum as a function of area.

Attached to port 4 is a plug 49 containing a shock attenuator 21 which protects two remotely operated ball valves 22 connected in series. Attenuator 21 consists of three spaced plates 50, 51, 52 having nonaligned paths 53, 54, 55 through them which provide a circuitous

5

path from the interior of vessel 1 to valves 22. This circuitous path serves to prevent direct shock coupling to valves 22 from the explosive event within vessel 1. Vacuum line 6 loops from valves 22 to a penetration 23 in safety vessel 24 (see FIG. 2). Line 6 then enters the vacuum system shown schematically in FIG. 7.

Vessel 1 is securely positioned on dolly 25 by means of support structure 26 and clamps 27, 28. Dolly 25 is movable on track 29 located within cylindrical safety vessel 24. Access to safety vessel 24 is by means of door 30. Safety vessel 24 can be partially evacuated by means of the vacuum system shown schematically in FIG. 7. When partially evacuated, safety vessel 24 serves to prevent the release to atmosphere of toxic or radioactive materials should vessel 1 vent as a result of the explosive event. Safety vessel 24 is intended only to prevent atmospheric contamination if vessel 1 is breached. It is not intended to contain vessel 1 if it is blown apart by the explosive event. Trolley 31 is located within safety vessel 24 as a means of providing support to plug 7 as it is inserted or withdrawn from port 5. Safety vessel 24 is mounted on trailer 32 for ease of transportation.

FIG. 4 shows a cross-sectional view of the system as adapted to the use of a spherical 6 ft diameter confinement vessel. The configuration shown in FIG. 4 is substantially similar to that shown in FIGS. 1 through 3, with the following exceptions. Plug 49 has feedthroughs 80, 81 for electrical cable 82 and transducer tubing 83 for transducer 84. Feedthroughs 80, 81 serve essentially the same purpose in plug 49 as do feedthroughs 41 in plug 7. In addition, vessel 1 of FIG. 4 is fitted with an additional port 85 whose plug 86 contains a beryllium window 87 held in place by closure 88. Because of its low Z number beryllium attenuates an x-ray beam substantially less than does mild steel. Port 85 is aligned with port 5 on a common axis such that an x-ray beam 35 entering through window 87 passes through the explosive event of interest and then impinges on a film packet 200 (see FIG. 4) in film enclosure area 13. An experimental assembly may readily be aligned within vessel 1 so that x-ray beam 35 passes through the explosive event at a desired point. This alignment can easily be accomplished by suspending the assembly by means of a support structure from plug 49. The beryllium window assembly shown in FIG. 4 is not limited to use with 6 ft diameter confinement vessels but may as readily be used with the 3 ft diameter confinement vessel shown in FIGS. 1 through 3.

In FIGS. 1 through 4 all plugs are secured in their ports by means of socket head cap screws 90. In the preferred embodiment, cap screws 90 are made of high-tensile steel (grade 5 or better) having eight threads to the inch and conforming to A.S.A. specification B18.3-1961. Although each port is shown with a double row of these screws, the number of screws 90 shown in FIGS. 1 through 4 is not critical to this invention. It will be understood that substantially fewer screws might be used, depending on the size of the explosive to be detonated in the confinement vessel. For ease of drawing, only the centerlines of many of the screws 90 are shown in FIGS. 1 through 4.

Although cap screws 90 are suitable for securing plugs within their ports in most applications, FIG. 6 shows an alternative fastening means used to secure a closure of a vessel or other containment device when said closure is subjected to a high level impulsive load-

6

ing. The fastening means comprises a plug to produce the closure, a shear ring to hold the plug in place, and a slug adjacent to the shear ring and in intimate contact with the plug. When the plug and shear ring are subjected to a high impulsive loading, momentum transfer occurs between the plug and the slug, the slug flies off, and the strain on the shear ring is substantially reduced.

FIG. 6 shows the closure device incorporated into a port 116 of a vessel 115 similar to confinement vessel 1 of FIGS. 1 through 4 used to contain the detonation of high explosive charges. Actual closure is accomplished by means of plug 117 having an O-ring seal 118. Plug 117 may be constructed with a slight taper to make it easier to insert into the port 116 to be closed and also to limit the insertion depth. Other means of accomplishing such objectives will be obvious, however, to one skilled in the mechanical arts. Plug 117 is secured against the force of explosive or other impulse loading by segmental shear ring 119. Shear ring 119 is assembled into groove 120 into port 116 such that to break free plug 117 must first shear ring 119. In the embodiment shown in FIG. 6, a shear ring is specified but it is intended that any shearing means may be used to restrain plug 117 including but not limited to cam-like segments that swing into a shear-ring-like configuration, plates that slide into the port groove, sprag-like struts that rotate into a shearing configuration, and similar means that may be manually or power activated.

In the embodiment of FIG. 6 shear ring 119 is held in place by a loosely fitting slug 121 held in intimate contact with plug 117. This contact may be obtained by gravity if port 116 is vertical or by other light restraint means obvious to those conversant with the mechanical arts for other orientations. In an alternate embodiment the shear ring means may be restrained by a ring machined from rigid polystyrene foam that also supports a slug of reduced diameter.

When an explosive charge is detonated in vessel 115 the mass of the explosive is converted into a mass of gas that expands with a characteristic velocity. A portion of this mass of gas impinges on plug 117. A momentum exchange takes place and plug 117 acquires a kinetic energy. If slug 121 is not introduced into the assembly the kinetic energy of plug 117 is transferred to port 116 through shear ring 119. The kinetic energy of plug 117 appears for a time as strain energy in shear ring 119. Shear ring 119 may be able to absorb this energy in the elastic mode; however, under the abuse of blast loading it may go plastic and deform to such an extent that the closure may be broken or the closure means rendered unsuitable for future use. With slug 121 in place there is an additional momentum exchange between it and plug 117. Slug 121 flies off and carries a portion of the incident energy with it; impulse is thus "trapped" and does not appear as strain energy in shear ring 119. Experimental studies demonstrate that 34 to 41 percent of the incident impulse may be trapped with a fairly primitive embodiment such as that shown in FIG. 6.

FIG. 7 is a schematic representation of the system used to produce the required vacuum in confinement vessel 1 and safety vessel 24 and also to bleed pressure from confinement vessel 1 (and safety vessel 24, if required) after an explosive event has occurred. The system may be used with either 3 or 6 ft diameter confinement vessels. Vacuum pump 92 is used to evacuate both confinement vessel 1 and safety vessel 24. To

evacuate confinement vessel 1, ball valves 22 are opened through actuator 91 controlled by means of an electrical solenoid external to safety vessel 24. Valves 93, 94, 99, and 101 are opened while valves 95, 96, 97, 98, 100, 102, and 103 are closed. Pump 92 is then used to evacuate confinement vessel 1 to a desired pressure. Leakage in vessel 1 may be periodically determined by opening valve 100 to leak detector 106. In the preferred embodiment leak detector 106 is a mass spectrometer. When the desired pressure is reached in vessel 1, actuator 91 is used to close valves 22, valve 99 is closed, and valve 98 opened to commence evacuation of safety vessel 24. When the desired pressure is reached in vessel 24, valve 98 is closed and pump 92 is shut off to await firing of the explosive event in vessel 1.

Valves 107 and 108 and low pressure gauge 109 are provided to monitor the atmosphere within safety vessel 24 after an explosive event. Low pressure gauge 104 and high pressure gauge 105 are provided to monitor the bleeddown of confinement vessel 1 (and safety vessel 24, if required). Bleeddown of vessel 1 is accomplished by closing valve 101 and opening valves 93, 94, 99, and 103 and valves 22. Gases from vessel 1 pass through filter 110 where toxic or radioactive components are removed. The flow of gas through filter 110 is monitored by flow indicator 11. Prior to commencement of bleeddown through valve 103, which is to atmosphere, a sample of the gas coming through filter 110 may be monitored through sampling valve 102. If monitoring of safety vessel 24 shows that confinement vessel 1 has vented into it, bleeddown and flushing of vessel 24 is accomplished by closing valve 93 and opening valve 95. To flush safety vessel 24, additional positive pressure may be added through valve 107.

Typically, this confinement system is operated as follows. Trailer 32 is positioned such that region 115 of safety vessel 24 abuts truncated metal cone 116 which serves as a blast shield for a source of intense x-rays and is not a part of this invention. Vessel 1 is positioned inside safety vessel 24 such that x-ray beam 35 will pass through the region of the explosive event to be studied. The required experimental arrangement is made within vessel 1, all ports are sealed, film packet 9 is inserted in plug 7, and vessel 1 is then evacuated through line 6 to a pressure of about 500 microns. Safety vessel 24 is then evacuated to a soft vacuum, i.e., about 12 inches mercury gauge. Evacuation of vessel 1 is a critical feature in that the substantial absence of air avoids the formation of strong shocks by the explosive event. The absence of such shocks makes it possible to typically contain the detonation of twice as much explosive as is possible with the same vessel at atmospheric pressure. Safety vessel 24 is partially evacuated so that in the event of accidental venting of vessel 1 toxic or radioactive materials will not be released to the atmosphere. When the system has been suitably aligned and evacuated, a timing sequence is started wherein the explosive event is detonated and a pulse of intense x-rays transmitted through the region of interest at the appropriate time. In some cases the x-ray beam 35 is directed through the wall of vessel 1 as shown in FIG. 1. In many instances, however, a beryllium window is used to admit the beam. Such a window 87 is shown in FIG. 4 for use with a 6 ft diameter confinement vessel.

The bursting charge of confinement vessels evacuated in the foregoing manner has been determined by

detonating successive charges of Composition B-3 in single 3 ft and 6 ft-diameter vessels. Proceeding in this manner punishes the vessel unduly, but the estimated bursting load thus determined for a given geometry is probably conservative. A shot summary is presented below showing the history to failure of two vessels tested to destruction.

Three-Foot Geometry Load (lb)	Six-Foot Geometry Load (lb)
2	5
3	5
5	5
3	10
6	15
7	20
8	26
10	32
12*	36*

*Failure

2. Bomb Containment

An embodiment of this invention useful for complete containment of the energy, detonation products, and any other products of a bomb or other infernal device is shown in FIG. 8. FIG. 9 is a partial cross-sectional and schematic view of a quick closure device which may be used with the embodiment shown in FIG. 8. In FIGS. 8 and 9, confinement vessel 150 is a 6 ft diameter spherical steel shell of nominally 1 inch thick mild steel (ASTM A516-70a, Grade 70 normalized). While vessel 150 need not be spherical or substantially spherical, it will again be understood that spherical or substantially spherical confinement vessels are desired in that they have the greatest strength. Vessel 150 has access ports 151, 152. Large port 151 is the main entry port for placing a bomb or other infernal device in vessel 150. Port 151 is of sufficient size that a bomb 2 ft by 2 ft by 2 ft may readily be inserted in vessel 150. Smaller port 152 provides access to vessel 150 for vacuum line 153 from vacuum pump 154. Vessel 150 is mounted vertically on trailer 155 so that in the event a bomb should detonate before closure 156 can be sealed in port 151, the force of the blast will be directed upward. Typically, the bomb or other infernal device is placed in a netting 157 suspended within vessel 150 such that the bomb does not come into contact with the wall of vessel 150. Netting 157 may be attached to a supporting structure located within vessel 150 proper, or it may preferably be attached directly to closure 156. Crane 158 is provided for inserting and removing closure 156 in port 151. Plug 159 to port 152 is provided with a shock attenuator and valves similar to shock attenuator 21 and valves 22 shown in FIG. 3. The shock attenuator serves to protect against a direct shock to the valves and other components of vacuum system 160 in the event that a bomb is detonated in vessel 150. Plug 159 may also be fitted with electrical feed-throughs. Such feedthroughs may be used for an electrical firing circuit to a small shaped charge located within vessel 150 and so directed as to dismantle or otherwise disrupt a bomb or other infernal device when the shaped charge is detonated. Trailer 155 is provided with a power supply 162 for operating the various mechanical and electrical systems associated with crane 158, vacuum system 160, etc. Trailer 155 may further be provided with shielding means 161 behind which an operator controlling the

various equipment on trailer 155 may stand. Alternatively, shielding means 161 may be located on a truck or other vehicle used to transport trailer 155. Although shielding means 161 is shown with a blast window 163 allowing an operator direct visual observation of vessel 150 and crane 158, shielding means 161 may as well be fitted with periscope means for indirect observation. Shielding means 161 is fitted with control means for operating the equipment mounted on trailer 155.

It will be readily understood that a primary interest of a bomb disposal squad will be the transfer of the bomb to within vessel 150 and the sealing of closure 156 as rapidly and as safely as possible. With this end in mind, it is highly desirable that closure 156 to port 151 be fitted with quick closing means. One type of quick closing means amenable for use with this embodiment of the invention is shown in FIG. 9. Port 151 has attached a circular flange 164 having recess 165 located along the bottom portion of its inner edge. Flange 164 may be attached to port 151 by means of bolts or screws 166 similar to the socket head cap screws 90 shown in FIGS. 1 through 4. Mounted on the outer face of closure 156 are a plurality of hydraulic rams 167 by which a plurality of wedges 168 may be rapidly driven into recess 165 thus sealing closure 156 into port 151. Rams 167 are operated by means of gas pressure supplied from source 169 through flexible line 170. Source 170 may readily be a high-pressure gas bottle stored on trailer 155.

A suggested operational sequence for bomb disposal is as follows. Boom 171 of crane 158 is rotated to the side of trailer 155 and lowered to a height wherein net 157 is readily accessible for receiving a bomb from a bomb disposal officer standing alongside trailer 155. Because it is imperative from a safety standpoint that bombs and other infernal devices be jarred as little as possible, a set of safety interlocks is incorporated into crane 158 wherein boom 171 must be elevated at a sufficient angle to ensure an adequate clearance between the bottom of loaded net 157 and the top of port 151 before boom 171 can be rotated over vessel 151. The safety interlock system operates to halt the rotation of boom 171 when closure 156 is centered over port 151. As shown in FIG. 9, the bottom portion of closure 156 and the inner lower portion of port 151 are tapered 172, so that should a slight mismatch between closure 156 and port 151 exist, there will be an automatic tendency for them to line up as closure 156 is lowered into port 151. During the time that closure 156 is being lowered into port 151, thus inserting the bomb or other infernal device into vessel 150, it is preferred that vacuum system 160 be operating. It is critical to this inven-

tion that a substantial vacuum be drawn in vessel 150 once port 151 is sealed with closure 156. When closure 156 is fully inserted into port 151, a quick closure means such as that illustrated in FIG. 9 is used to seal port 151 closed. Trailer 155 may then be transported to an appropriate bomb disposal area for disposition of the bomb contained within vessel 150.

It will be apparent that numerous components of the several embodiments of this invention disclosed herein are interchangeable. It will be further apparent that the confinement vessel utilized with this invention need not be made of mild steel nor have a wall thickness of 1 inch. Those knowledgeable in the art will be aware of other wall materials and thicknesses that may be used with this invention. Finally, it will be apparent that the manner in which a shaped charge may be used to disrupt or dismantle a bomb or other infernal device can clearly be inferred from the disclosure herein made and the illustration of FIGS. 3 and 5.

What we claim is:

1. An apparatus for completely containing the energy, detonation products, and any other products of an explosive event which comprises a confinement vessel, access means to the interior of said vessel, closure means for said access means, support means within said vessel for holding an explosive to be detonated, said explosive having no direct contact with the walls of said vessel, and means for producing a substantial vacuum within said vessel.

2. The apparatus of claim 1 wherein said confinement vessel is spherical and said access means is a plurality of access ports.

3. The apparatus of claim 1 wherein said support means for said explosive is mounted to said closure means.

4. The apparatus of claim 1 wherein said vessel contains means for rapidly reducing the kinetic energy of metal driven to high velocity by said explosive event.

5. The apparatus of claim 4 wherein said means for rapidly reducing the kinetic energy of said metal comprises in combination in spaced relationship a plurality of concentric metal hemispheres, said hemispheres being so oriented in relation to said metal that when said metal is driven to high velocity it impinges upon the innermost of said hemispheres.

6. The apparatus of claim 1 wherein said closure means is a quick closure device.

7. The apparatus of claim 1 having a safety vessel surrounding and encompassing said confinement vessel and means for producing a soft vacuum within said safety vessel.

* * * * *

55

60

65